





INTRODUCING

Grip-Rite™ PROLOK™, a new line of rebar and mesh chairs — the only products with patented locking heads.

Eliminate the use of tie wire and bar ties due to the patented locking heads securely holding the rebar or mesh in place.

- ☑ Increase your productivity
- ☑ Decrease your total material costs
- ☑ Reduce installer fatigue

COMPARISON CHART

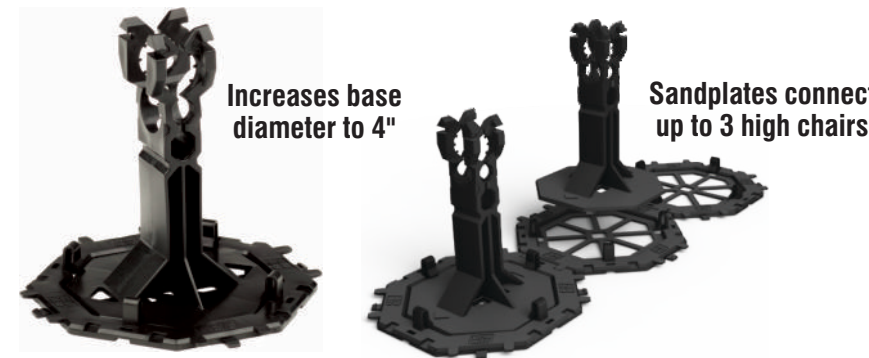
Feature	Grip-Rite™ PROLOK™ Rebar & Mesh Chair	Other Professional Grade High Chairs	Concrete Dobbies	DIY High Chair
				
Raises Both Rebar & Wire Mesh	✓		✓	
Stackable	✓			
Secures Intersection	✓		✓	
Lightweight	✓	✓		✓
Light Reflective	✓			

High Chairs & Tilt-up Chairs

Bar Size	Mesh Size	Height	High Chair SKU	Tilt-up Chair SKU	Pieces/ Bag	Bags/ Pallet
Bar #4	Max 10 gauge	1"	GRPROLK41	GRPROTU41	500	26
Bar #4	Max 10 gauge	1.5"	GRPROLK415	GRPROTU415	500	26
Bar #4	Max 10 gauge	2"	GRPROLK42	GRPROTU42	500	26
Bar #4	Max 10 gauge	2.5"	GRPROLK425	GRPROTU425	500	21
Bar #4	Max 10 gauge	3"	GRPROLK43	GRPROTU43	500	21
Bar #4	Max 10 gauge	4"	GRPROLK44	GRPROTU44	300	12
Bar #5	Max 10 gauge	1.5"	GRPROLK515	GRPROTU515	500	21
Bar #5	Max 10 gauge	2"	GRPROLK52	GRPROTU52	500	21
Bar #5	Max 10 gauge	2.5"	GRPROLK525	GRPROTU525	500	16
Bar #5	Max 10 gauge	3"	GRPROLK53	GRPROTU53	500	16
Bar #5	Max 10 gauge	4"	GRPROLK54	GRPROTU54	300	12
Bar #6	Max 10 gauge	1.5"	GRPROLK615	GRPROTU615	400	21
Bar #6	Max 10 gauge	2.5"	GRPROLK625	GRPROTU625	400	16
Bar #6	Max 10 gauge	3"	GRPROLK63	GRPROTU63	400	16
Bar #6	Max 10 gauge	4"	GRPROLK64	GRPROTU64	300	12

Sandplate Base

- Reflective for low light projects
- For use with 1-3" high chairs



Size	SKU	Pieces/ Bag	Bags/ Pallet
4" Diameter	GRPROLKSP	500	32

© 2013 PrimeSource Building Products, Inc.
Grip-Rite™ PROLOK™ rebar and mesh chairs are distributed by PrimeSource Building Products, Inc. Other product and company names listed may be trademarks of their respective owners. Products are not reviewed or certified under LEED. LEED credit requirements cover the performance of materials in aggregate, not the performance of individual products or brands. For more information on LEED, visit www.usgbc.org/contact

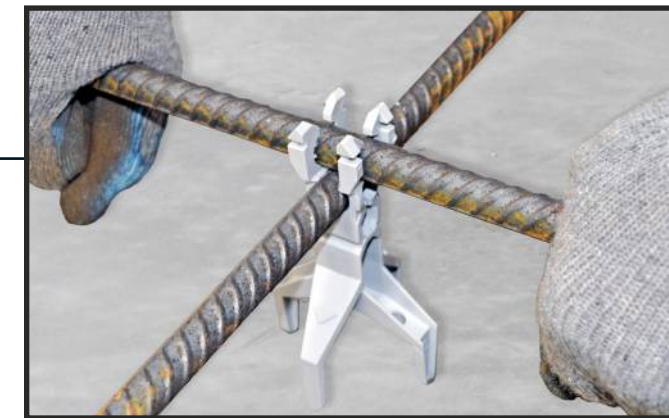
PRIMESOURCE
BUILDING PRODUCTS, INC.

800-676-7777
www.grip-rite.com
www.primesourcecbp.com

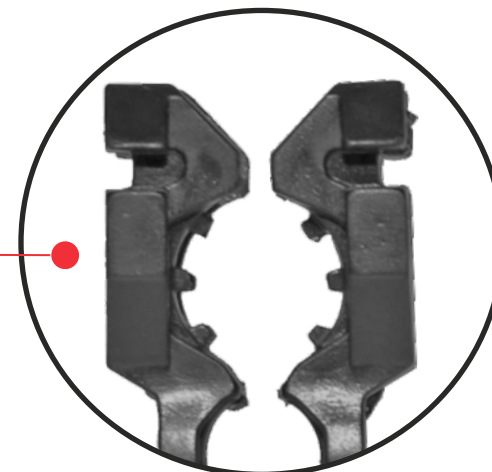


SAVE TIME | **NO TIE WIRE**
SAVE MONEY | **NO BAR TIES**

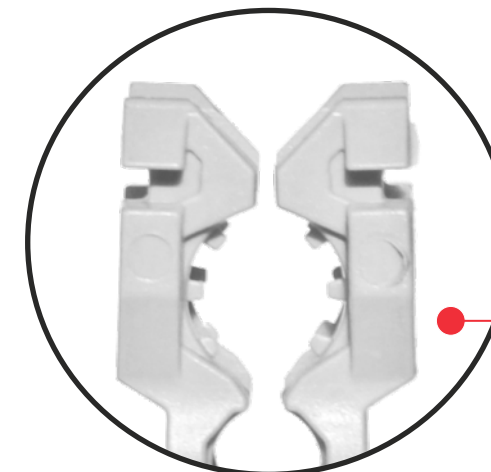
SAVE TIME | NO TIE WIRE
SAVE MONEY | NO BAR TIES



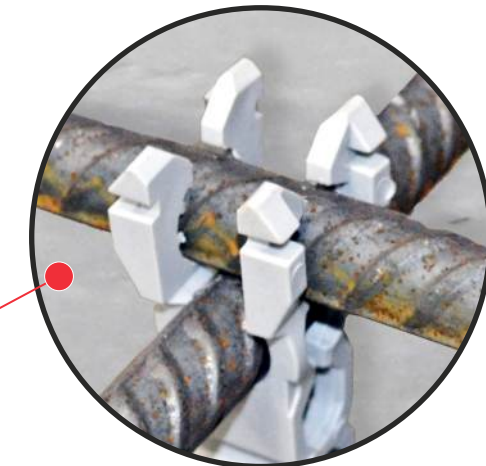
Rebar Ready



Patented Locking Head



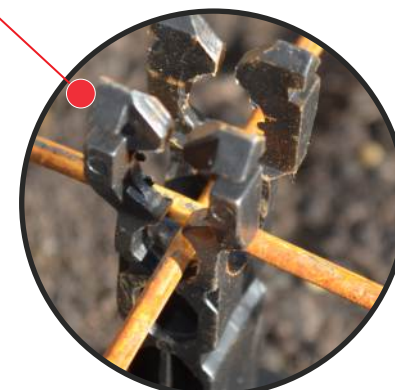
Patented Locking Head



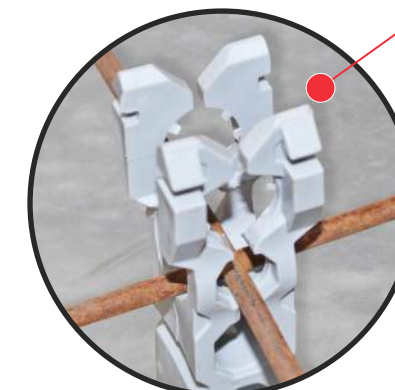
Rebar Ready



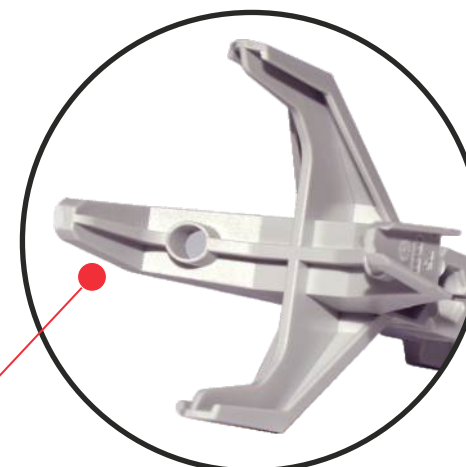
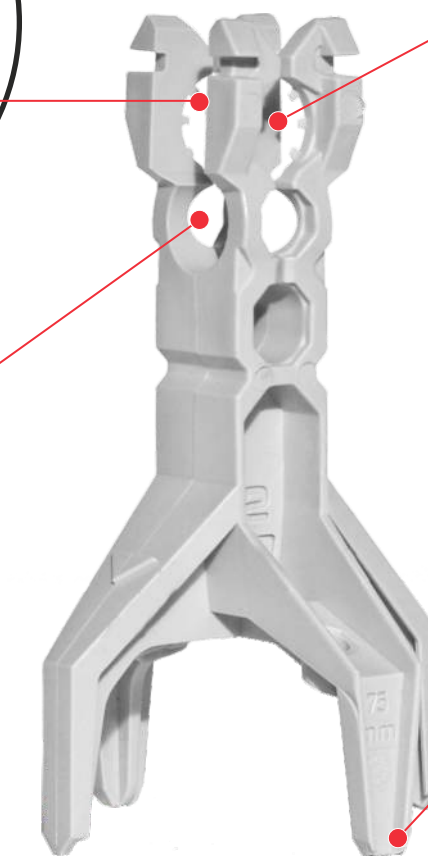
Stackable



Mesh Ready



Mesh Ready



Invisible 4-point Footprint

FEATURES

Strong, Durable and Lightweight

I-Beam Design

Reflective for Low Light Projects

Made from Recycled Material



Recycled, Recyclable, Green

High Chair

Tilt-up Chair