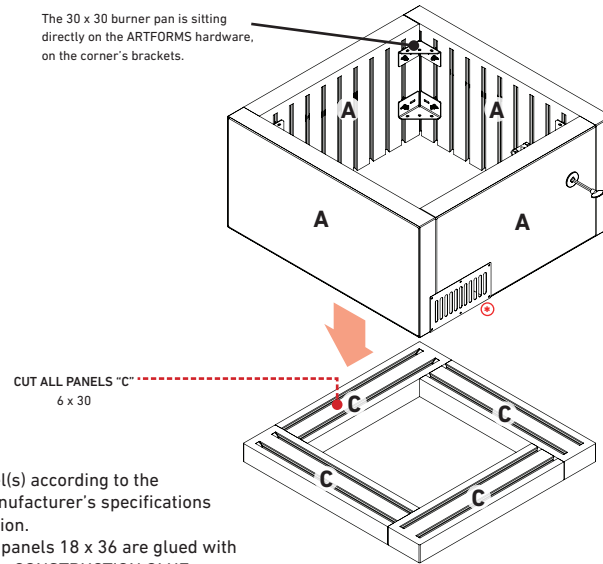


14. RECESSED GAS FIRE PIT



INTERIOR VIEW

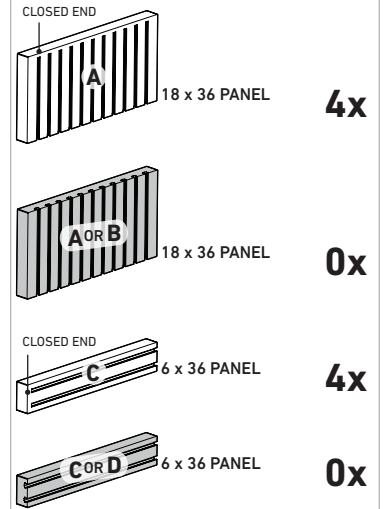
The 30 x 30 burner pan is sitting directly on the ARTFORMS hardware, on the corner's brackets.



Ⓞ Cut panel(s) according to the burner manufacturer's specifications for ventilation.

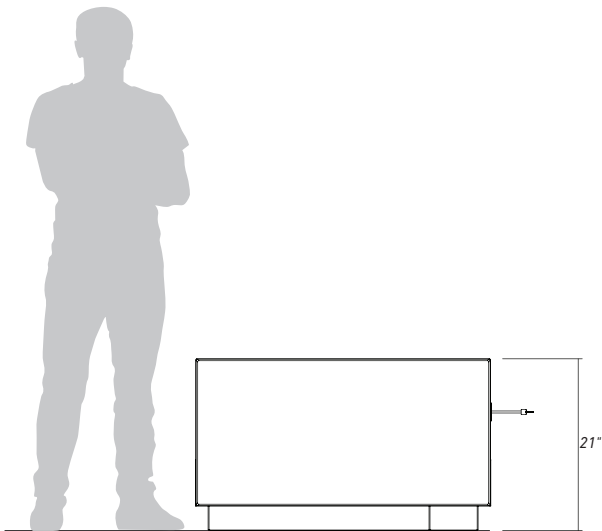
NOTE: The panels 18 x 36 are glued with 6 x 36 using CONSTRUCTION GLUE or STRUCTURE BOND

REQUIRED PANELS

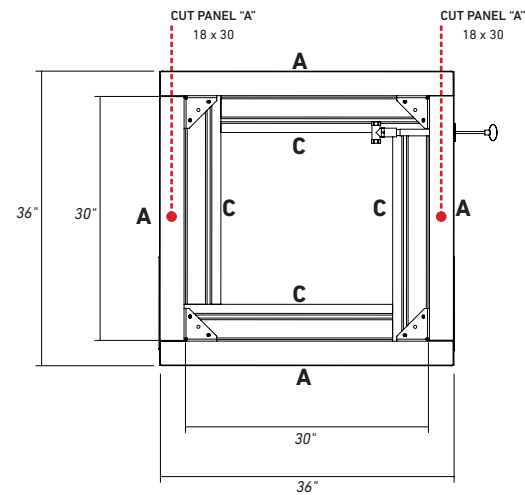


IMPORTANT: 18 x 36 panels are sold in pair/layer or in full pallet only. 6 x 36 panels are sold per unit or in layer or in full pallet.

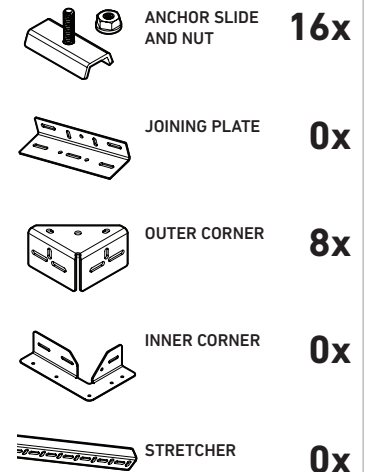
FRONT VIEW



TOP VIEW



REQUIRED HARDWARE



IMPORTANT: It is recommended to follow the burner manufacturer's specifications for ventilation. Belgard is not responsible for the conformity of connections, clearances and ventilation. Burner pan and accessories are not included.